



Griffco Valve Inc.
 188 Creekside Dr
 Amherst, NY 14228 USA
 Phone: +1 716 835-0891
 Fax: +1 716 835-0893

Gauge and Instrument Guards



Griffco diaphragm gauge and instrument isolators are designed to enhance the performance of chemical feed systems. The addition of gauges to the system ensure optimal pressures are maintained. Diaphragm isolators protect instruments against chemical attack.

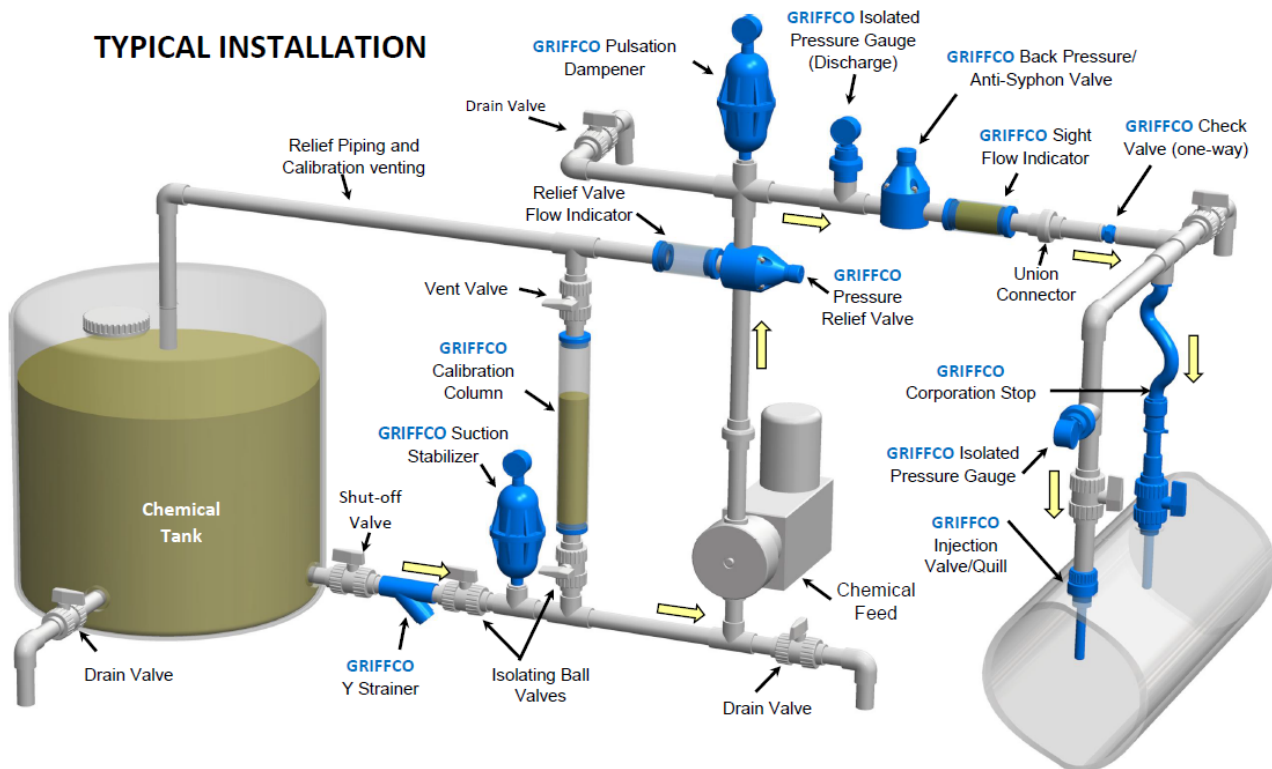
Features:

- Reliable Instrument Protection
- Will Perform in Any Position
- Molded Noryl Top
- 316 SS Gauge Connection
- Wide Range of Materials
- Calibration Screw for Zeroing
- Multiple Diaphragm Options
- Available With or Without Gauge
- No Metal Fasteners

Principles of Operation:

- 1 – A Griffco Valve gauge guard assembled with a vacuum mechanism must be filled with a proper fill fluid. (e.g. glycerine).
- 2 – The gauge guard diaphragm is an elastic wall that precludes the process fluid from entering the gauge or pressure device.
- 3 – Pressure on the process side of the diaphragm pushes against the fill liquid transferring the pressure to the device.
- 4 – Conversely, vacuum causes the diaphragm to flex in the reverse direction, producing a vacuum in the fill liquid, which triggers the device.

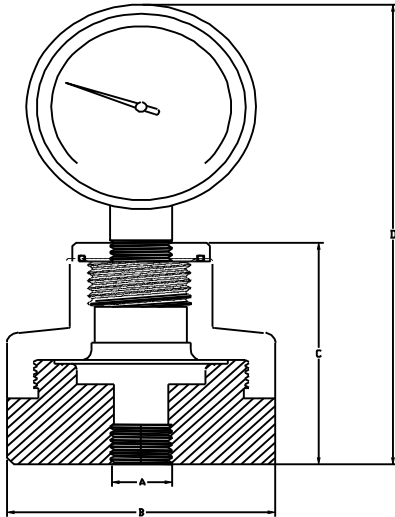
TYPICAL INSTALLATION



TECHNICAL DATA:

Materials of Construction:	Body: PVC, CPVC, PP, PVDF, 316 SS. Top: Noryl	
Connection Sizes:	1/4", 3/8" and 1/2"	
Connections:	NPT, BSPT, Flange, Union	
Gauge Port Sizes	1/4" Standard, Optional (Only available with No Gauge): 1/8", 1/2"	
Max Temperature:	PVC: 140°F (60°C) ; CPVC & PP 190° (87°C); PVDF: 300° (150°C)	
Max Operating Pressure(psi) @ 70 Deg. F	250 psi	
O-Ring Material	Viton	
Diaphragm Material	Standard: Viton. Optional: PTFE, Hypalon	
Gauge Accuracy	± 2%	
Optional Gauges	0 – 160 psi, 0 – 60 psi, 0 – 100 psi, 0 – 200 psi, 0 – 300 psi	

DIMENSIONS:



Size (A)	B (in)	C (in)	D (in)
1/4"	2.35	2.15	4.75
3/8"	2.35	2.15	4.75
1/2"	2.35	2.15	4.75



Product Codes for Ordering:

GG

GGU with Union Connections

GGS with Pressure Switch

1 2 3 4 5

1 - Size	2 - Material	3 - Gauge Class
025 - 1/4"	P - PVC	0 - No Gauge
038 - 3/8"	CP - CPVC	1 - Economy
050 - 1/2"	PP - Polypro	2 - Mid- Range
	K - Kynar	3 - Premium
	S - 316SS	4 - Compound**
	A - Alloy 20	5 - Std Pressure Switch
	C - Hast C	6 - SS Pressure Switch

4 - Pressure Range
1 - 0 - 160 psi*
2 - 0 - 60 psi
3 - 0 - 100 psi
4 - 0 - 200 psi
5 - 0 - 300 psi
6 - 0 - 30 psi
7 - 40 - 150 psi***
8 - 0 - 15 psi

5 - Options

- T - PTFE Diaphragm
- H - Hypalon Diaphragm
- B - BSP Connections
- F - Flanged
- D - Metric Union Connection
- Z - Threaded Union Connection
- M – Back Mount
- R – Rubber Boot for Gauge
- G8 - 1/8" Gauge Port – No Gauge
- G5 - 1/2" Gauge Port – No Gauge
- XL - 4 or 4 1/2" Gauge****
- ****Economy XL are 4 1/2", Mid-Range & Premium are 4"

*Pressure Range on Compound Gauge Option 1 is 150 psi instead of 160 psi

**Compound Gauge Pressure Ranges: 30-0-XXX

***Pressure Range Option 7 only available for Pressure Switch

****Pressure Switches available with Pressure Range Option 2 (0-60 psi) or 7 (40-150 psi) Only